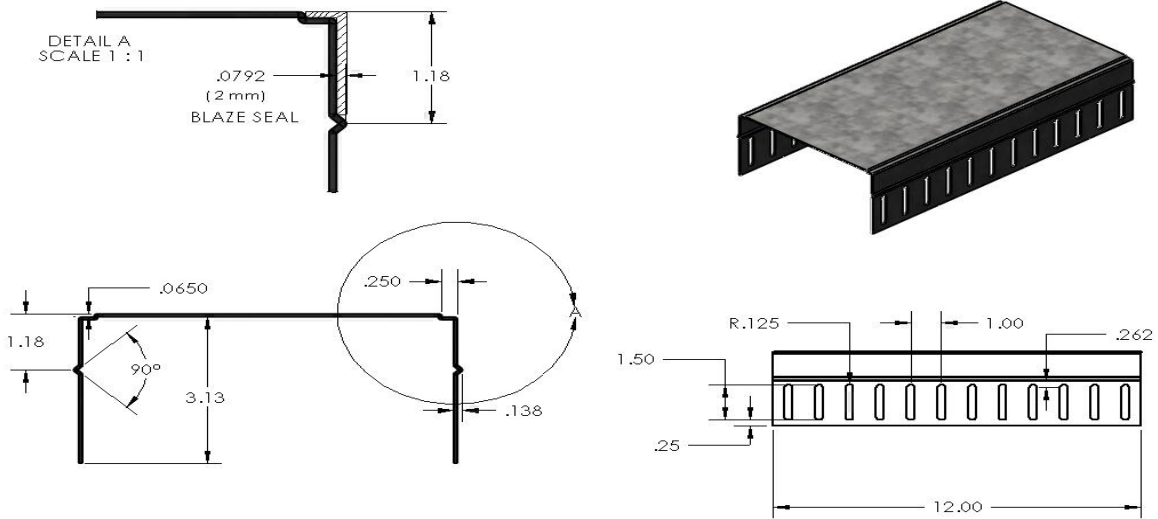




The Innovators of Quality Framing and Lath Systems

CEMCO FAS Track Specification



ALL DIMENSIONS IN INCHES

PATENT PENDING

Track Member Width	Length	Gauge (mils)
3 5/8", 4", 6", and 8"	10' 0"	20, 18, 16, and 14 GA (33, 43, 54, and 68 mil)

Drift slots on the web are optional.

CEMCO FAS Track is a slotted deflection track that offers fire and air protection. The section is fabricated from hot-dipped galvanized steel complying with ASTM A653, and ASTM A1003 Structural Grade 50 Type H for 50 ksi yield strength steel and Grade 33 Type H for 33 ksi yield strength steel with a minimum G60 coating. The FAS Track is designed with Blazeseal intumescent fire proofing material on both side of the FAS Track. The FAS Track is listed under Underwriters Laboratories for one and two hour head of wall fire rated wall assemblies.

CALIFORNIA EXPANDED METAL LATH PRODUCTS CO.

Corporate Office:

263 N. Covina Lane,
City of Industry, CA 91744
Phone (800) 775-2362
Fax (626) 330-7598

1001-A Pittsburg Antioch Hwy,
Pittsburg, CA 94565
Phone (925) 473-9340
Fax (925) 473-9341

www.cemcosteel.com

490 Osage Street,
Denver, CO 80204
Phone (303) 572-3626
Fax (303) 572-3627