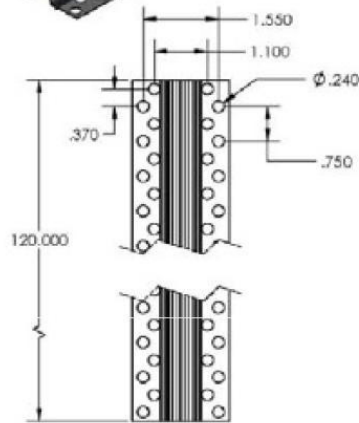
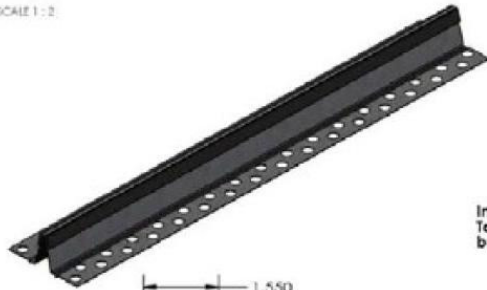




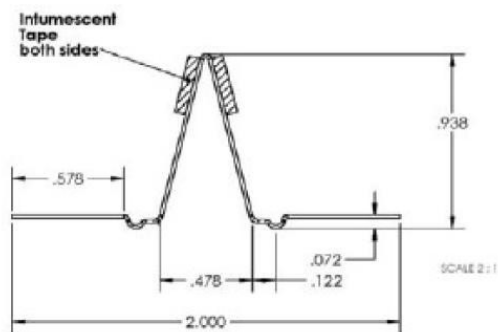
The Innovators of Quality Framing and Lath Systems

CEMCO FAS 093X Specification Sheet

SCALE 1:2



SCALE 1:2



SCALE 2:1



US Patent 8,671,632

CEMCO's FAS-093X Fire Rated control joint is a composite control joint with intumescent tape factory applied to the back side of the control joint. The FAS-093X has been tested according to UL-2079 "Test For Fire Resistance of Building Joint Systems" and is used to relieve stresses of expansion and contraction of drywall interior partitions or ceilings running in a horizontal or vertical direction. The opening is protected by an orange plastic tape to indicate the fire rating. This tape is removed after joint compound has been applied and the finish is completed. The section is fabricated from hot-dipped galvanized steel complying with ASTM A653, and ASTM A1003 Grade 33 Type H for 33 Ksi yield strength steel 13 mil thickness.

CALIFORNIA EXPANDED METAL LATH PRODUCTS CO.

- No Drywall Rip Required
- No Sealant Required
- No Mineral Wool Required